



CHLORINE TON CONTAINER ADAPTER

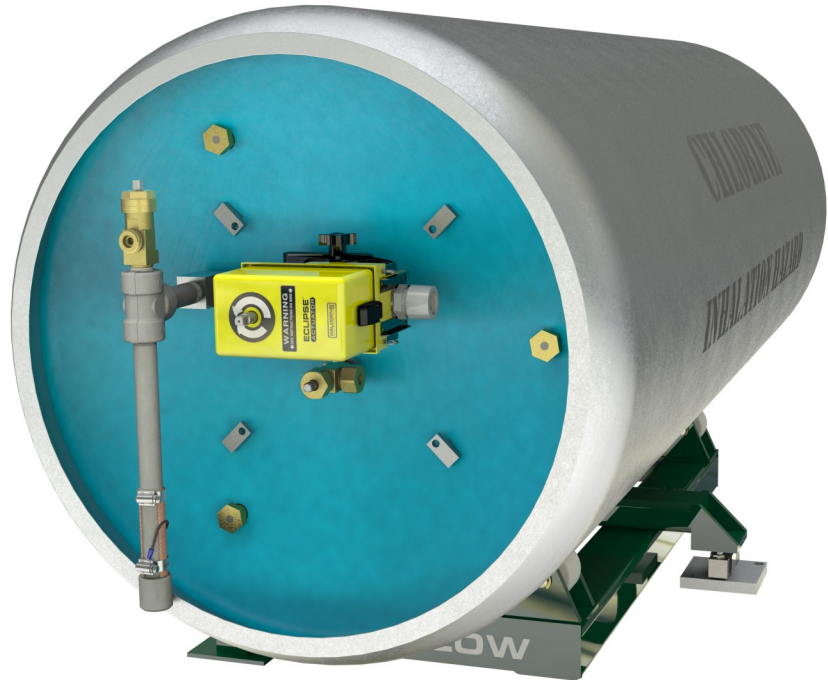
Bulletin: 801

Allows Eclipse and Terminator valve actuators to be used with vacuum regulators that require adapters

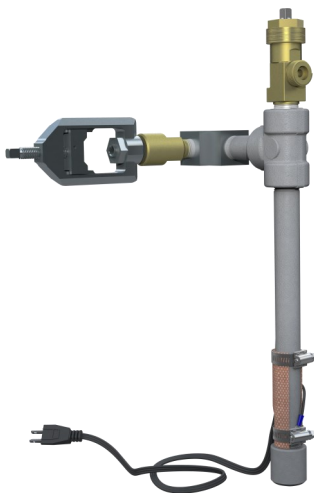
The Halogen Valve Systems Chlorine Ton Container Adapter allows our Eclipse Valve Actuator or Clamp Mount Terminator valve actuator to be used side by side with vacuum regulators that require a ton container adapter, such as Regal and Superior. The adapter provides clearance for both the actuator and vacuum regulator.

The adapter assembly consists of a CGA 820 style closed yoke, a drip leg with 25 watt heating element, and an auxiliary valve. The clamp mount Terminator or Eclipse actuator secures to the yoke while the vacuum regulator mounts to the auxiliary valve.

Both left and right hand models are available to accommodate tank valve outlets that open to either the left or right, with options for either 110VAC or 220-240VAC.



Specifications

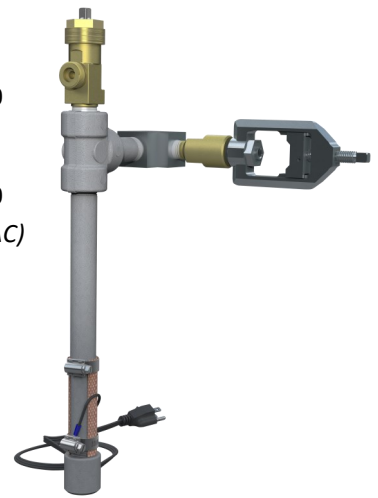


MODELS: DL820-R110
(110VAC)
DL820-R240
(220-240VAC)

TANK VALVE DIRECTION: OUTLET TO RIGHT

MODELS: DL820-L110
(110VAC)
DL820-L240
(220-240VAC)

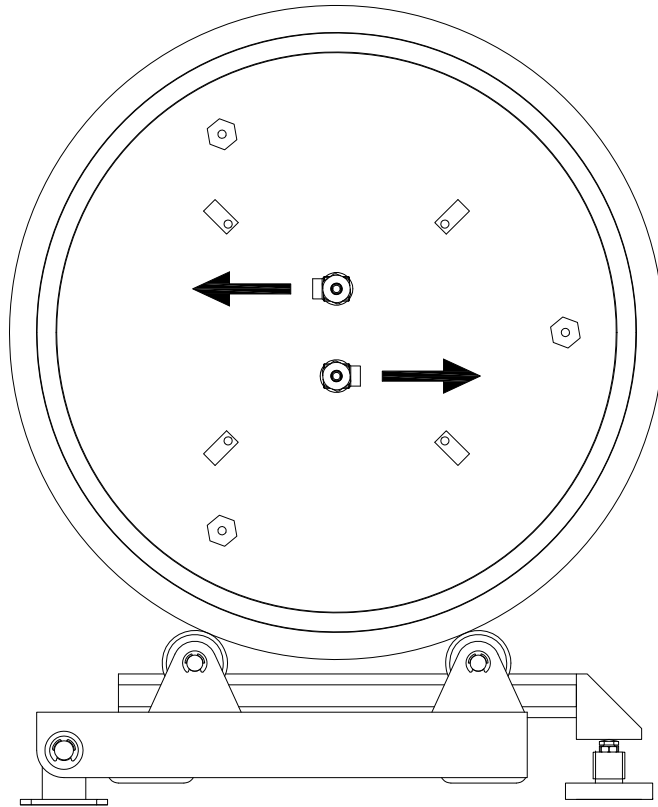
TANK VALVE DIRECTION: OUTLET TO LEFT



www.halogenvaive.com

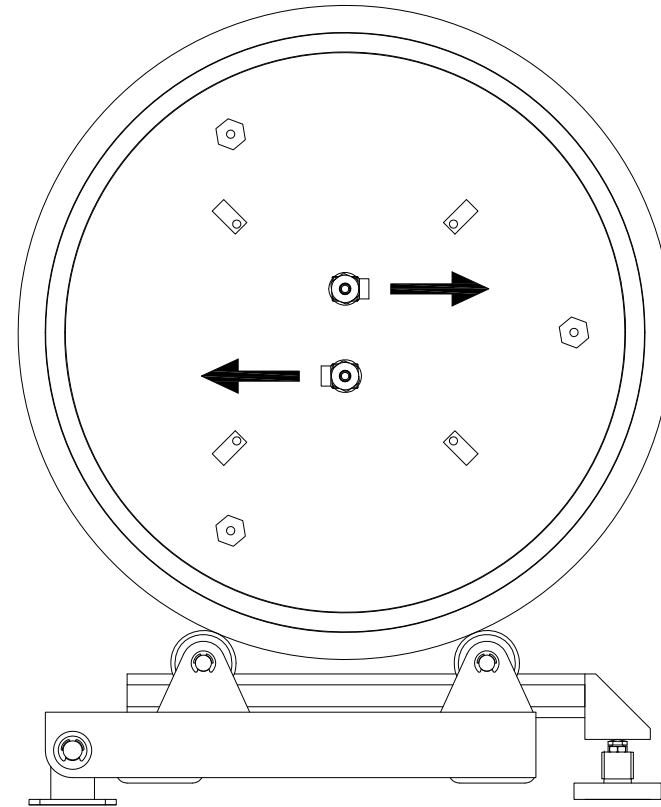
CONTACT CHLORINE / SO2 SUPPLIER TO CONFIRM GAS VALVE OUTLET DIRECTION

CONFIGURATION "A"



Use Universal Adapter / Drip Leg Assembly Models:
DL820-L110 (110VAC)
DL820-L240 (220-240VAC)

CONFIGURATION "B"



Use Universal Adapter / Drip Leg Assembly Models:
DL820-R110 (110VAC)
DL820-R240 (220-240VAC)



2430 Stanwell Dr, Concord, CA 94520 USA
1-800-893-6723 US & Canada, Fax: 925-686-6713
www.forceflow.com / info@forceflow.com

TON CONTAINER
VALVE OUTLET DIRECTION

Drawn by: KBV

Date: 11/29/16

Revised:

Revision #:

Drawing Number

31900