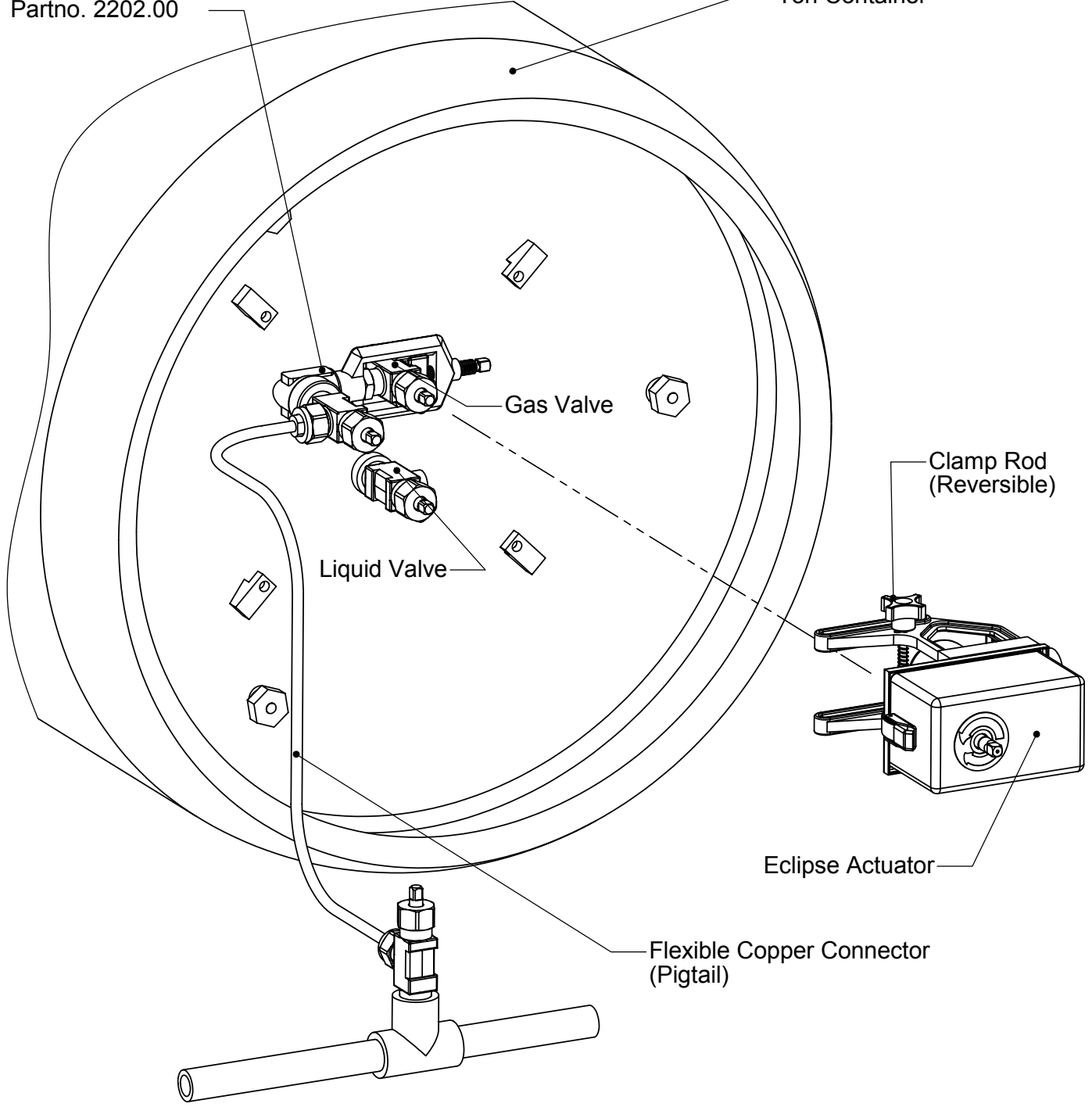


REVISIONS				
ZONE	REV.	DESCRIPTION	DATE	APPROVED

Aux. Valve & Yoke  
Partno. 2202.00

Ton Container

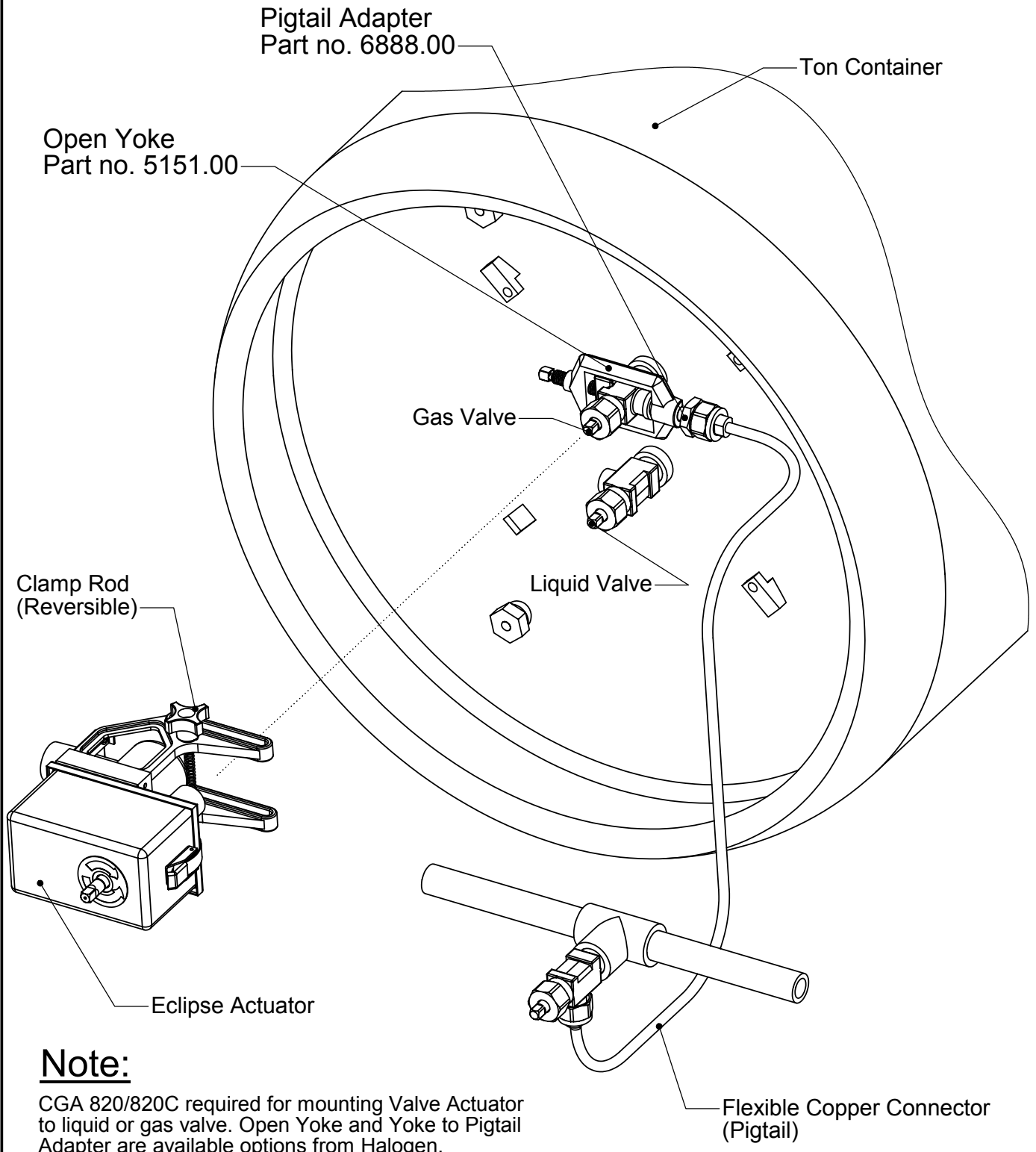


**Note:**

CGA 820/820C required for mounting Valve Actuator to liquid or gas valve. Open Yoke and Yoke to Pigtail Adapter are available options from Halogen.

	17961 Sky Park Circle, Suite A Irvine, CA 92614 tel: (877) 476-4222 fax: (949) 261-5033	DATE	NAME	SHEET 1 OF 1	
		12/18/03	Ton Container with Aux Valve	SCALE	PART NO.
FILE NAME	2202.00 Ton Container with Aux Valve	1:5	2202.00	D7696.11-A	

REVISIONS				
ZONE	REV.	DESCRIPTION	DATE	APPROVED

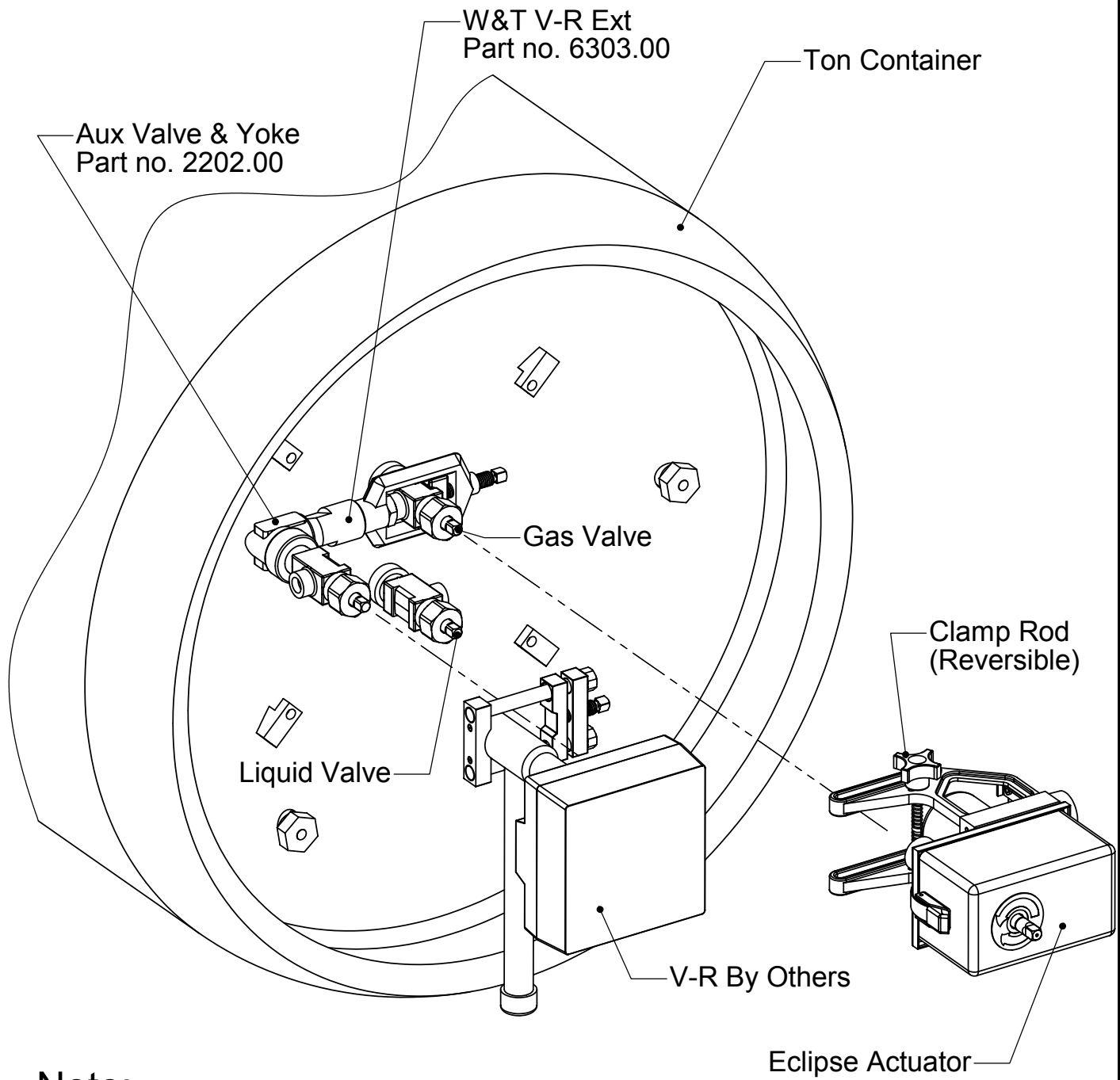


**Note:**

CGA 820/820C required for mounting Valve Actuator to liquid or gas valve. Open Yoke and Yoke to Pigtail Adapter are available options from Halogen.

<b>HALOGEN</b> VALVE SYSTEMS, INC.	17961 Sky Park Circle, Suite A Irvine, CA 92614 tel: (877) 476-4222 fax: (949) 261-5033	DATE	NAME		
		12/18/03	Ton Container with Open Yoke		
FILE NAME	SCALE	PART NO.	DWG. NO.	SHEET 1 OF 1	
5151.00 with Ton Container	1:5	5151.00	D7696.12-0		

REVISIONS				
ZONE	REV.	DESCRIPTION	DATE	APPROVED

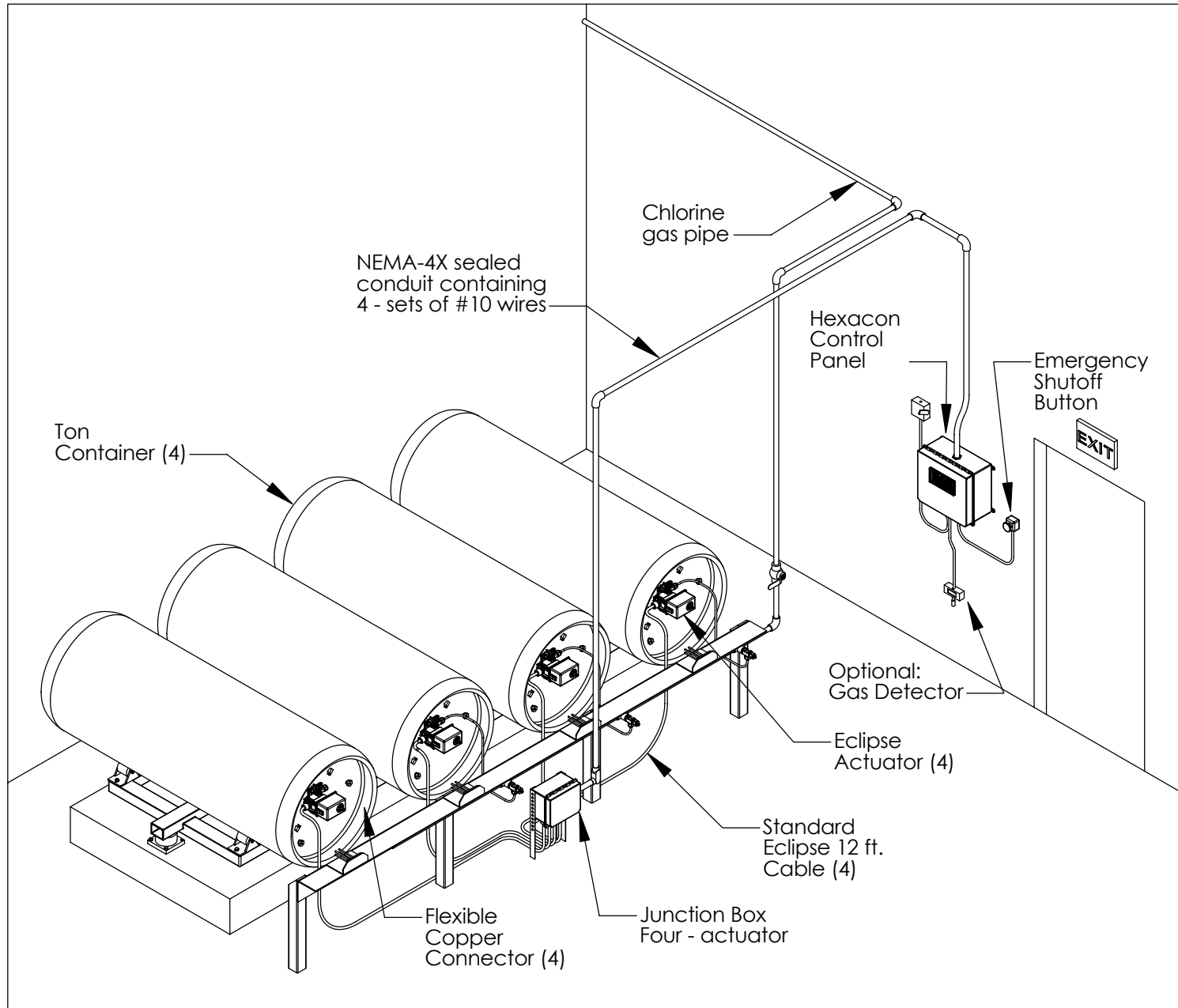


**Note:**

Vacuum Regulator mounting hardware varies by manufacturer.  
 Consult factory for specific regulator requirements.  
 Certain models do not require additional hardware.

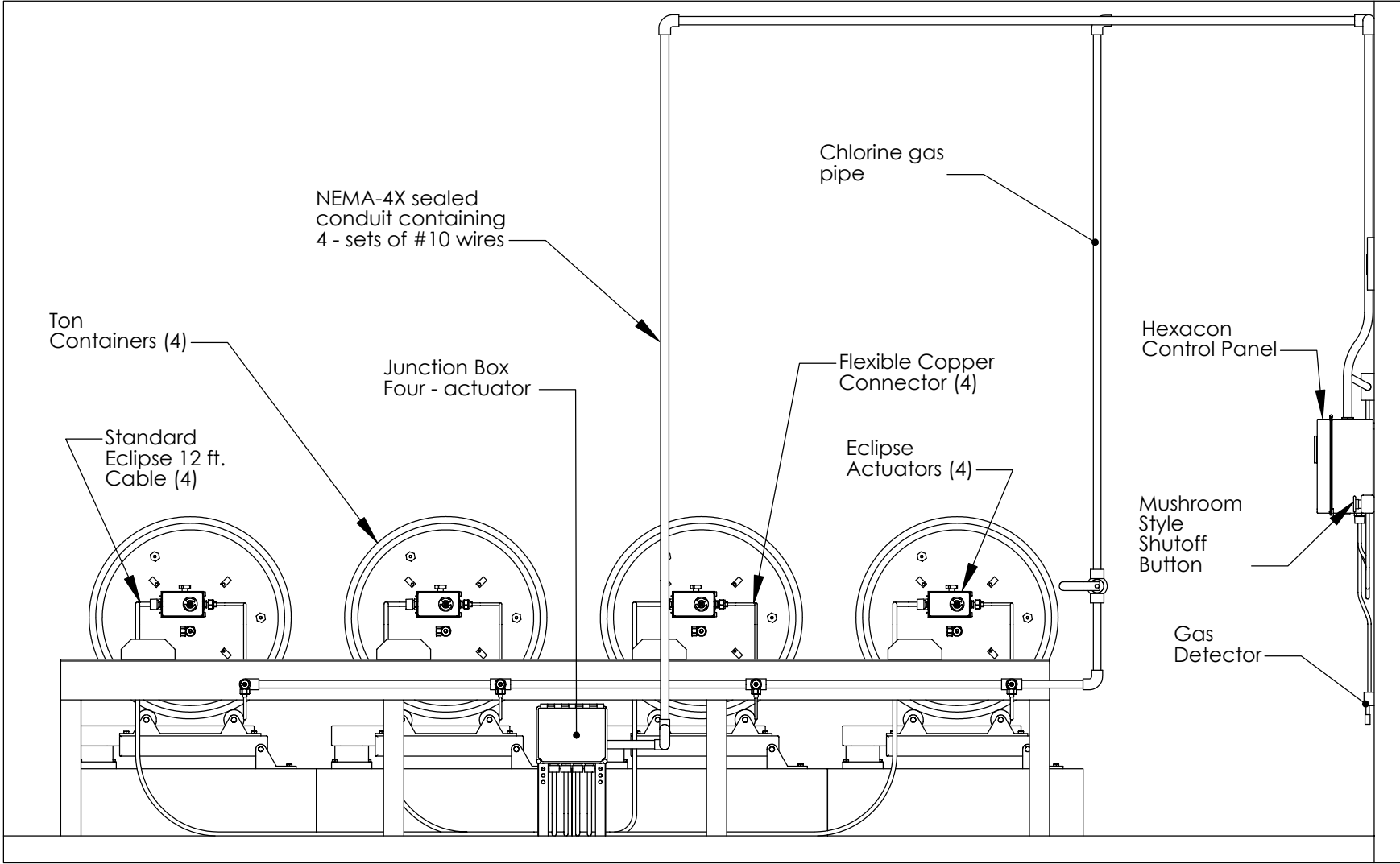
<b>HALOGEN</b> VALVE SYSTEMS, INC.	17961 Sky Park Circle, Suite A Irvine, CA 92614 tel: (877) 476-4222 fax: (949) 261-5033	DATE	NAME		SHEET 1 OF 1
		12/18/03	Ton Container with Aux Valve & V-R Extension		
FILE NAME	SCALE	PART NO.	DWG. NO.		
Ton Container with Aux Valve & VR Mount	1:5	2202.00	D7696.11-0		

REVISIONS		DATE	APPROVED
ZONE	REV.	DESCRIPTION	



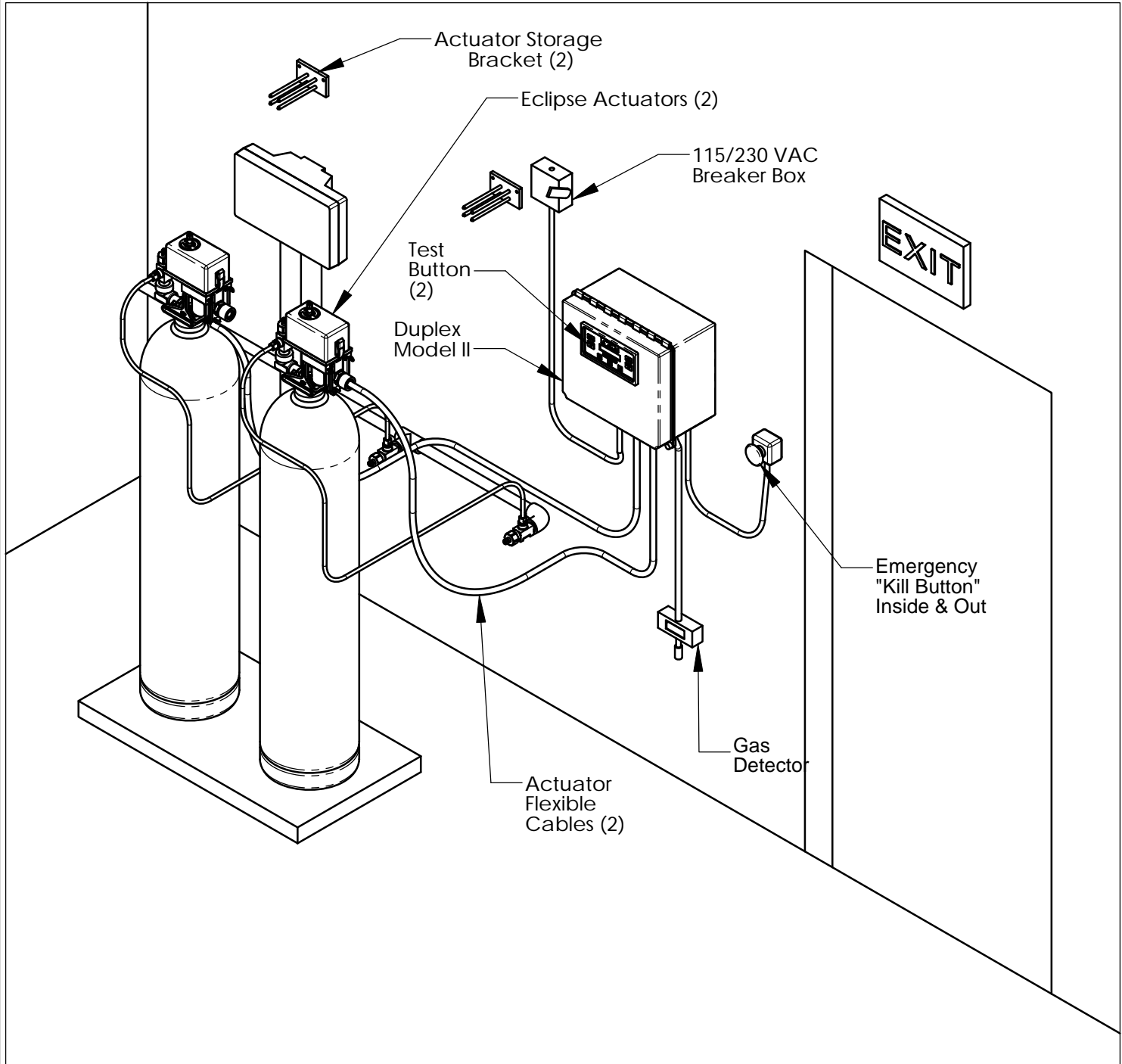
<b>HALOGEN</b> VALVE SYSTEMS, INC.	17961 Sky Park Circle, Suite A Irvine, CA 92614 tel: (877) 476-4222 fax: (949) 261-5033	DATE	PART NO.	NAME	
		9/7/2005	With Annotations	Ton Containers with J-Box Isometric View	
FILE NAME	Typical Hexacon System -Sheet 2	SCALE	SIZE	DWG. NO.	REV.
		1:38		07600.01	SHEET 2 OF 2

REVISIONS		DATE	APPROVED
ZONE	REV.	DESCRIPTION	

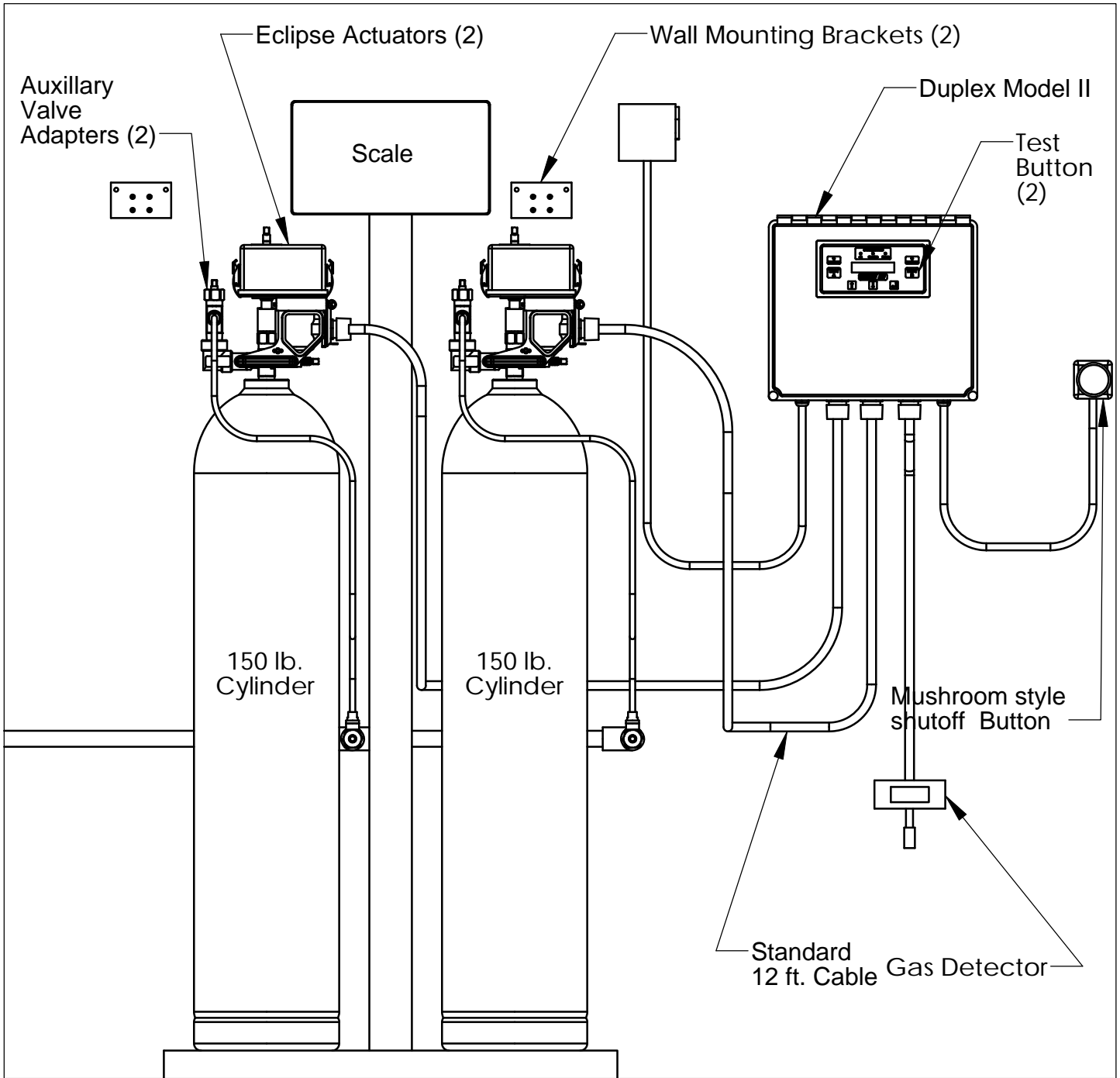


	17961 Sky Park Circle, Suite A Irvine, CA 92614 tel: (877) 476-4222 fax: (949) 261-5033	DATE 3/12/2004	PART NO. With Annotations	NAME Ton Container with J-Box Front View	REV.
	FILE NAME Typical Hexacon System -Sheet 1	SCALE 1:22	SIZE	DWG. NO. 07699.01	SHEET 1 OF 2

REVISIONS				
ZONE	REV.	DESCRIPTION	DATE	APPROVED



ZONE		REV.	REVISIONS	DATE	APPROVED



**HALOGEN**  
VALVE SYSTEMS, INC.

17961 Sky Park Circle, Suite A  
Irvine, CA 92614  
tel: (877) 476-4222 fax: (949) 261-5033

DATE  
**08/17/07**

NAME  
**150 lb. Cylinder  
with Eclipse Actuator**

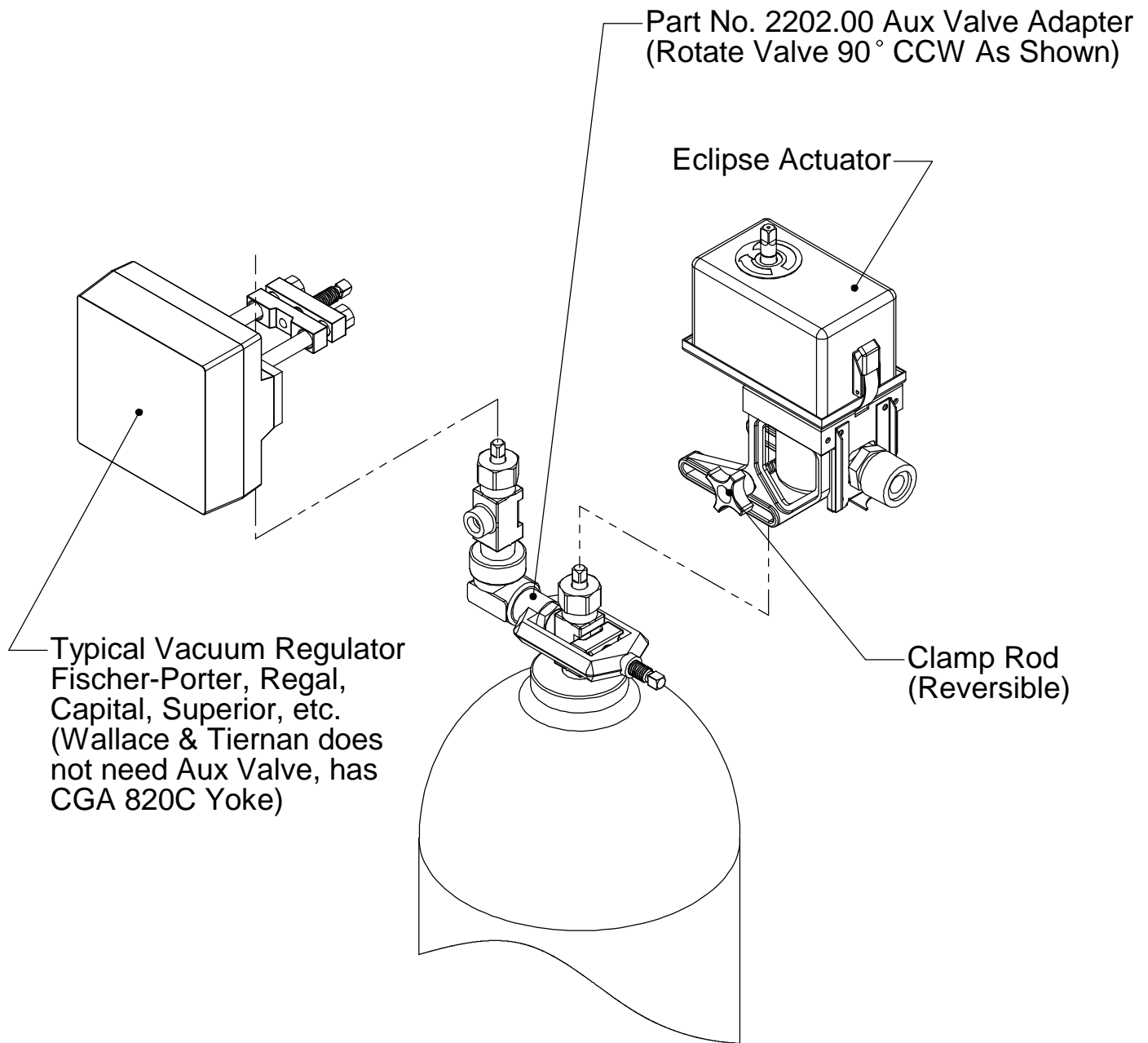
FILE NAME  
**Duplex Model II Room Installation**

SCALE  
1:11

PART NO. DWG. NO.  
**07696.00-A**

SHEET 1 OF 2

		REVISIONS		DATE	APPROVED
ZONE	REV.	DESCRIPTION			



### Sequence of Installation:

1. Install fresh Gasket between Yoke and Valve (Oriented Vertically).
2. Tighten Yoke Screw to compress Gasket against Valve.
3. Install Vacuum Regulator on Aux Valve per Manufacturer's Instructions.
4. Install model CR-1Y on Yoke and Valve Stem.
5. Refer to Halogen and Vacuum Regulator Operating Manuals for further instructions.

**HALOGEN**  
VALVE SYSTEMS, INC.

17961 Sky Park Circle, Suite A  
Irvine, CA 92614  
tel: (877) 476-4222 fax: (949) 261-5033

Date  
8/27/02

Part No.  
2202.00

Universal 150 Lb. Cylinder  
Vacuum Regulator Mounting

File Name: 150 Lb Cylinder with VR Mount

Scale  
1:5

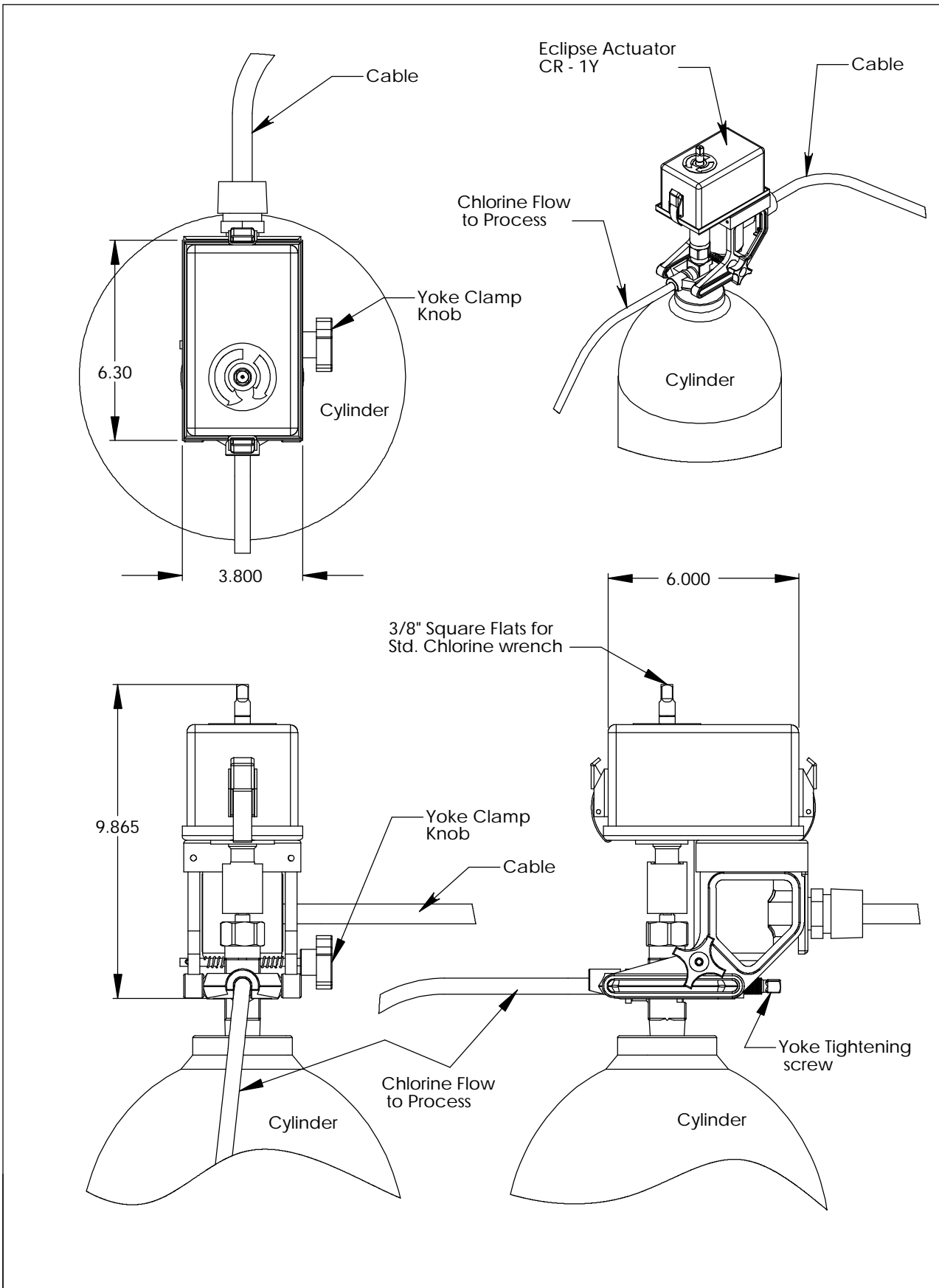
SIZE

DWG. NO.

D7696.19

SHEET 1 OF 1





<b>HALOGEN</b> VALVE SYSTEMS, INC.	17961 Sky Park Circle, Suite A Irvine, CA 92614 Tel: (877) 476-4222 Fax: (949) 261-5033	DATE	Part No.	Name	
		9/19/02	CR-1Y	Cylinder with Eclipse Actuator	
File Name	150 lb. cylinder with Eclipse actuator	Scale	Size	DWG NO.	SHEET 1 OF 1
		1:4		D7695.05	